

Project: Nail Puzzle

Level: Easy

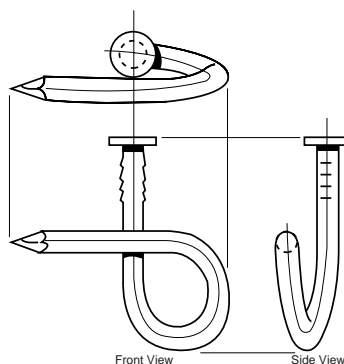
Age: 5 and up

Materials needed: Two 60-penny nails (about six inches long each)

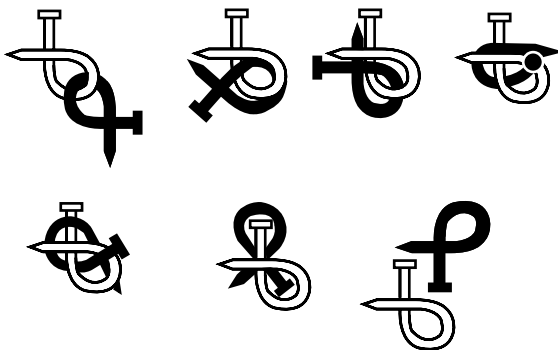
Directions:

1. Bend both nails into a 270-degree twist (or $\frac{3}{4}$ way around), both exactly the same way (not opposite). You can bend the nails around a $\frac{1}{2}$ -inch pipe using a hammer while clamping the nail and the pipe in a vise. An adult may have to do this, but even a young child should be able to handle a hammer at least for part of the time. Make sure the gap created between the coils of the nail is too small for the other nail to pass through. File and sand off any burrs.

To create the Nail Puzzle, both nails should be bent like this.



2. Try solving the puzzle on your own by pulling the nails apart, but if you need the solution, it appears below.



Here's how to solve the puzzle.